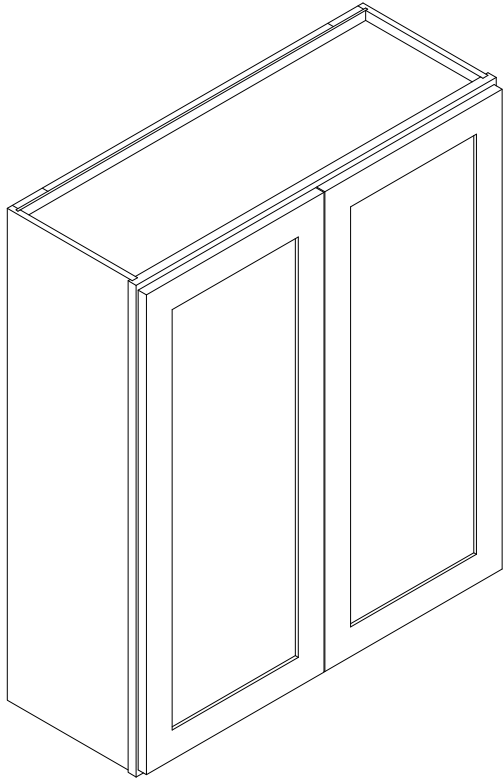
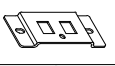
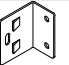
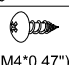
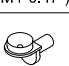



ASSEMBLY INSTRUCTIONS

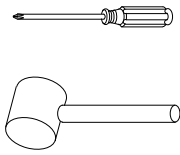
W3639



Parts list

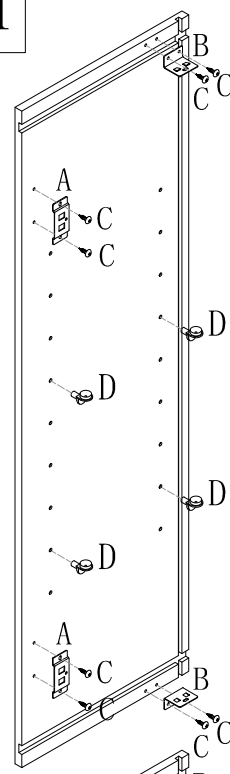
NO.	Parts	QTY
A		10
B		10
C	 (M4*0.47")	50
D		8
E	 (T4*0.98")	2

Tools (required but not provided)

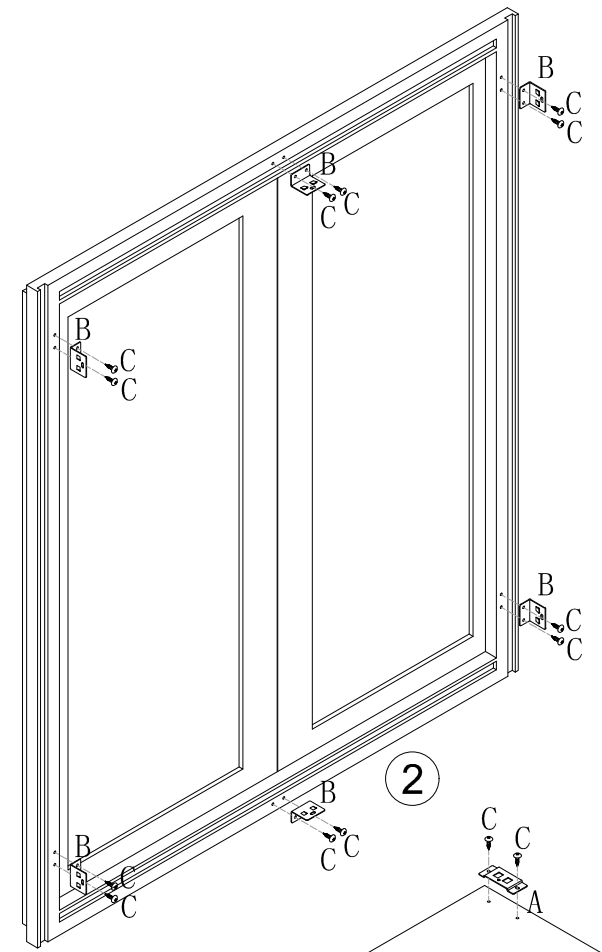


Step 1

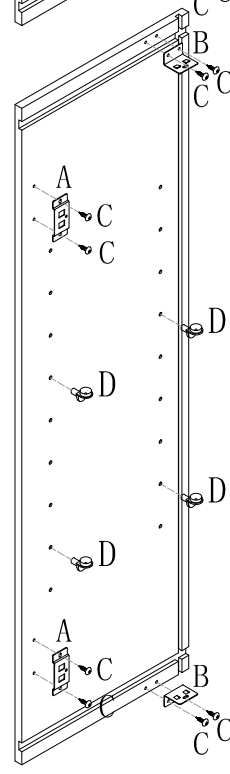
1



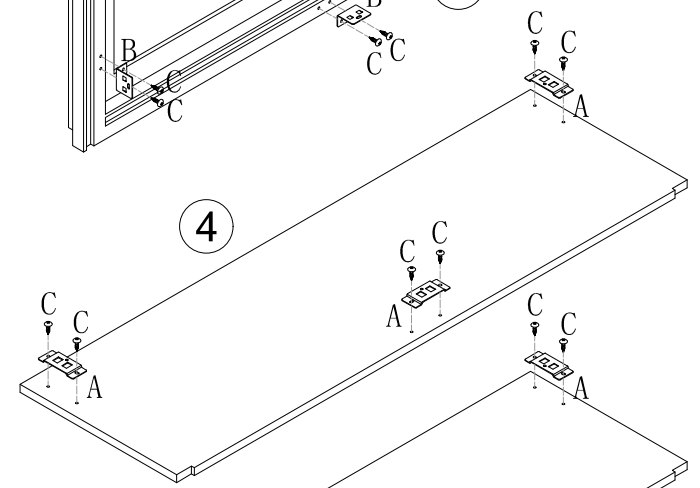
2



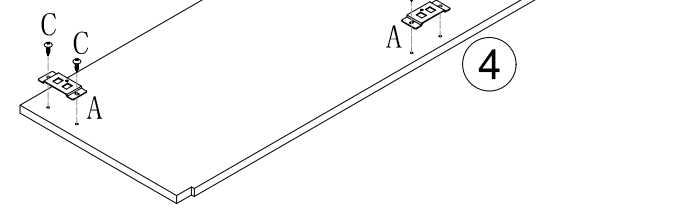
1



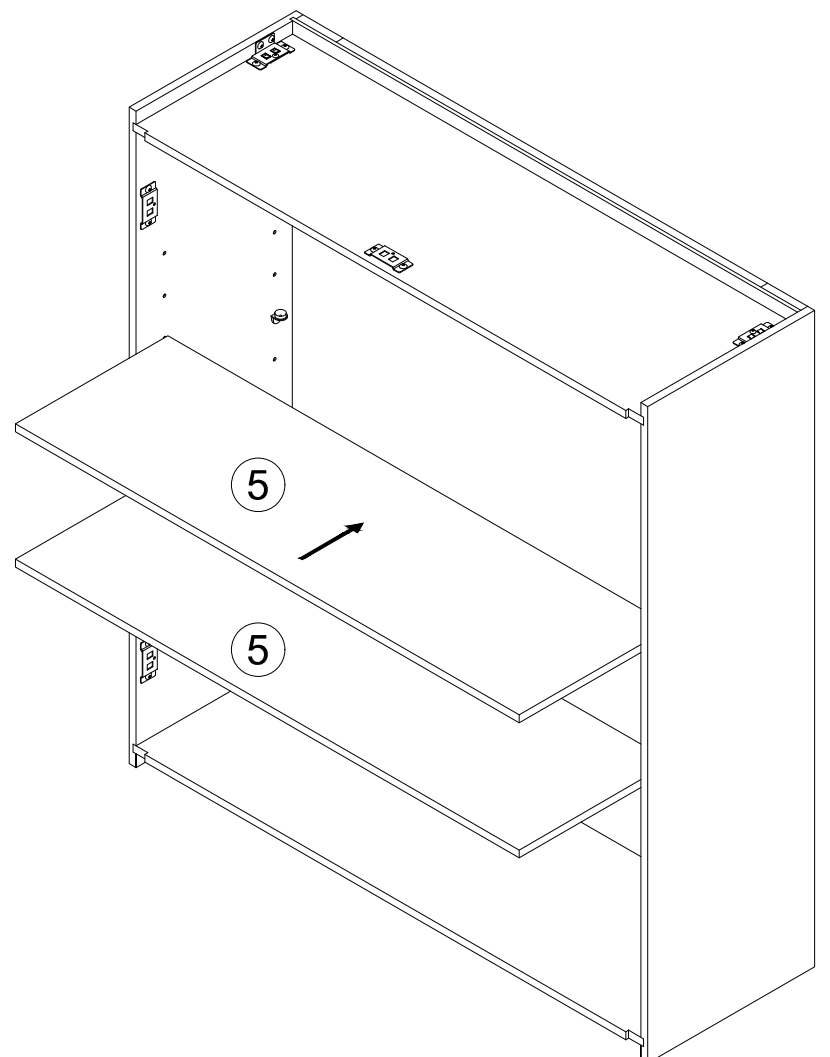
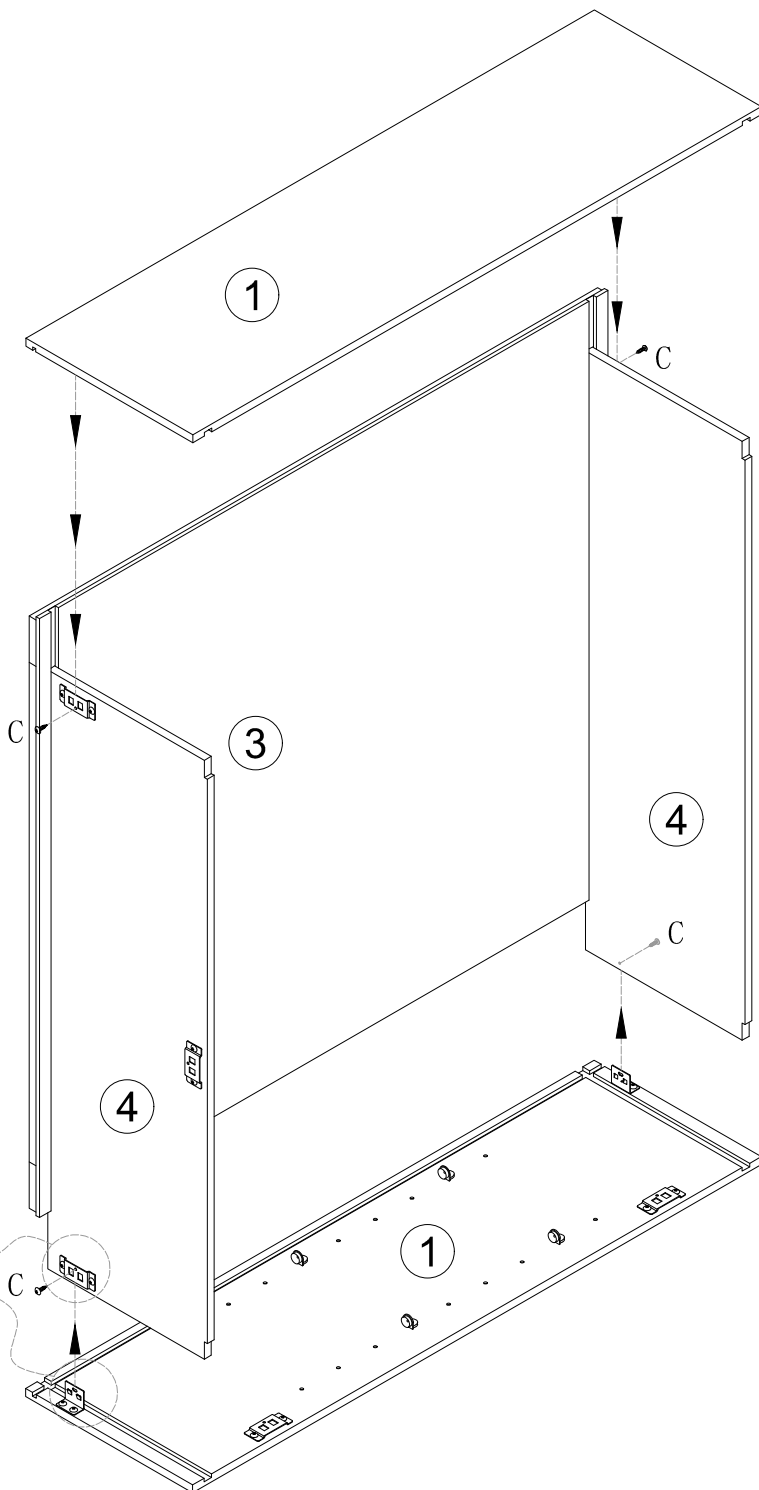
4



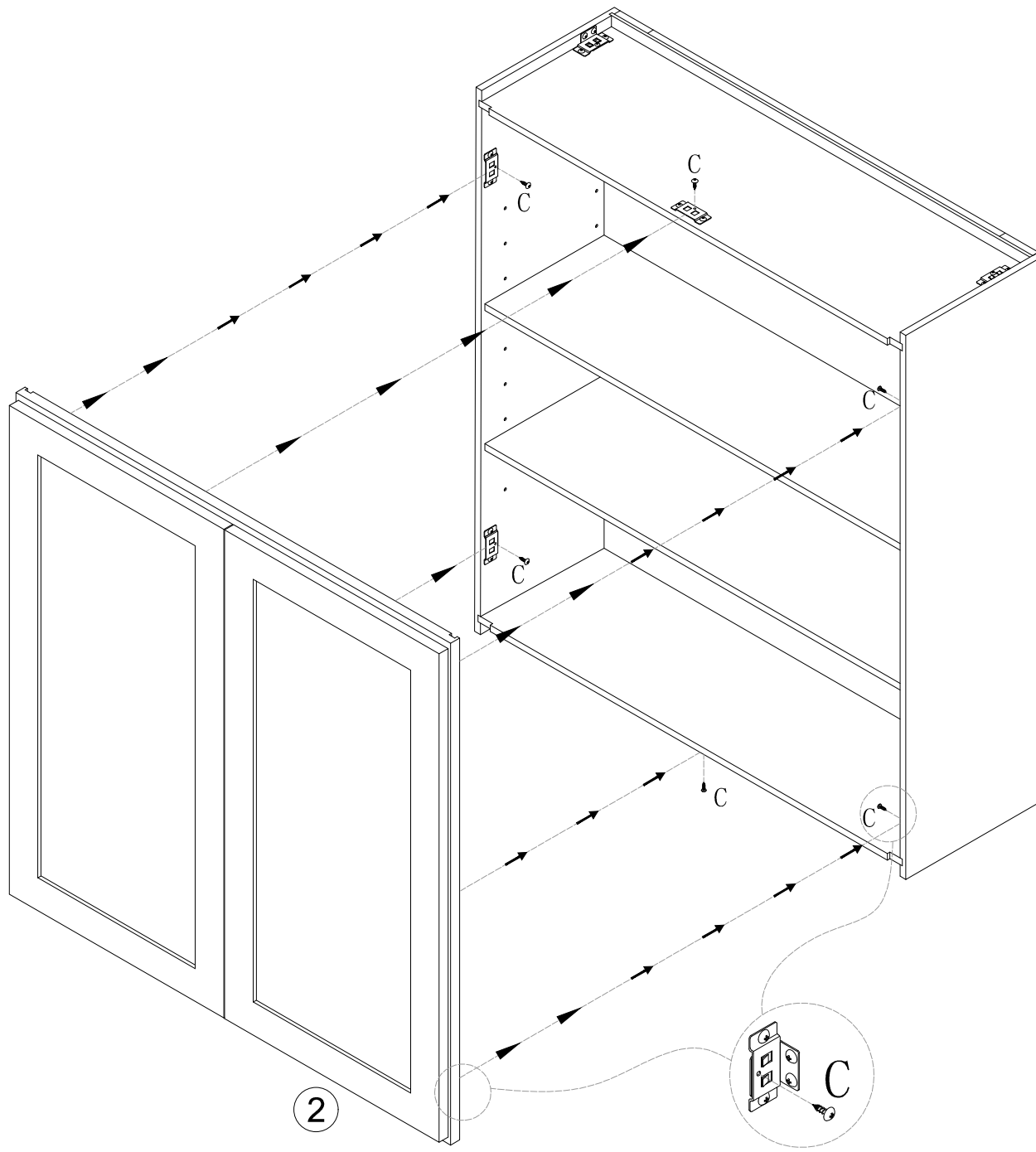
4



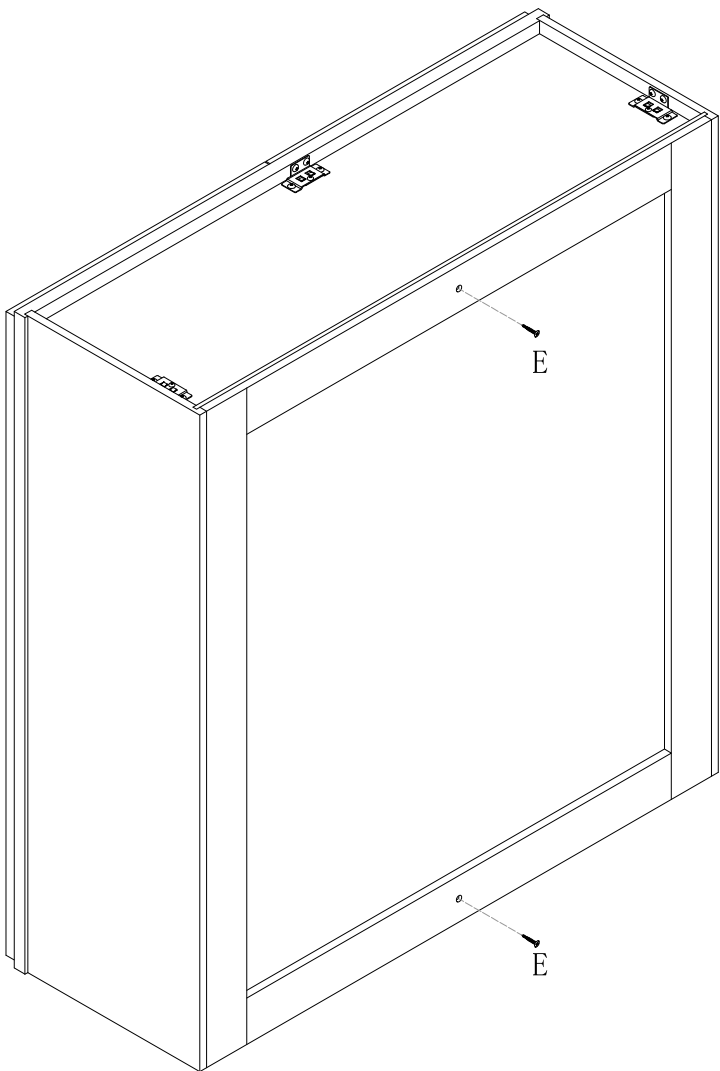
Step 2



Step 3



Step 4



Finished

